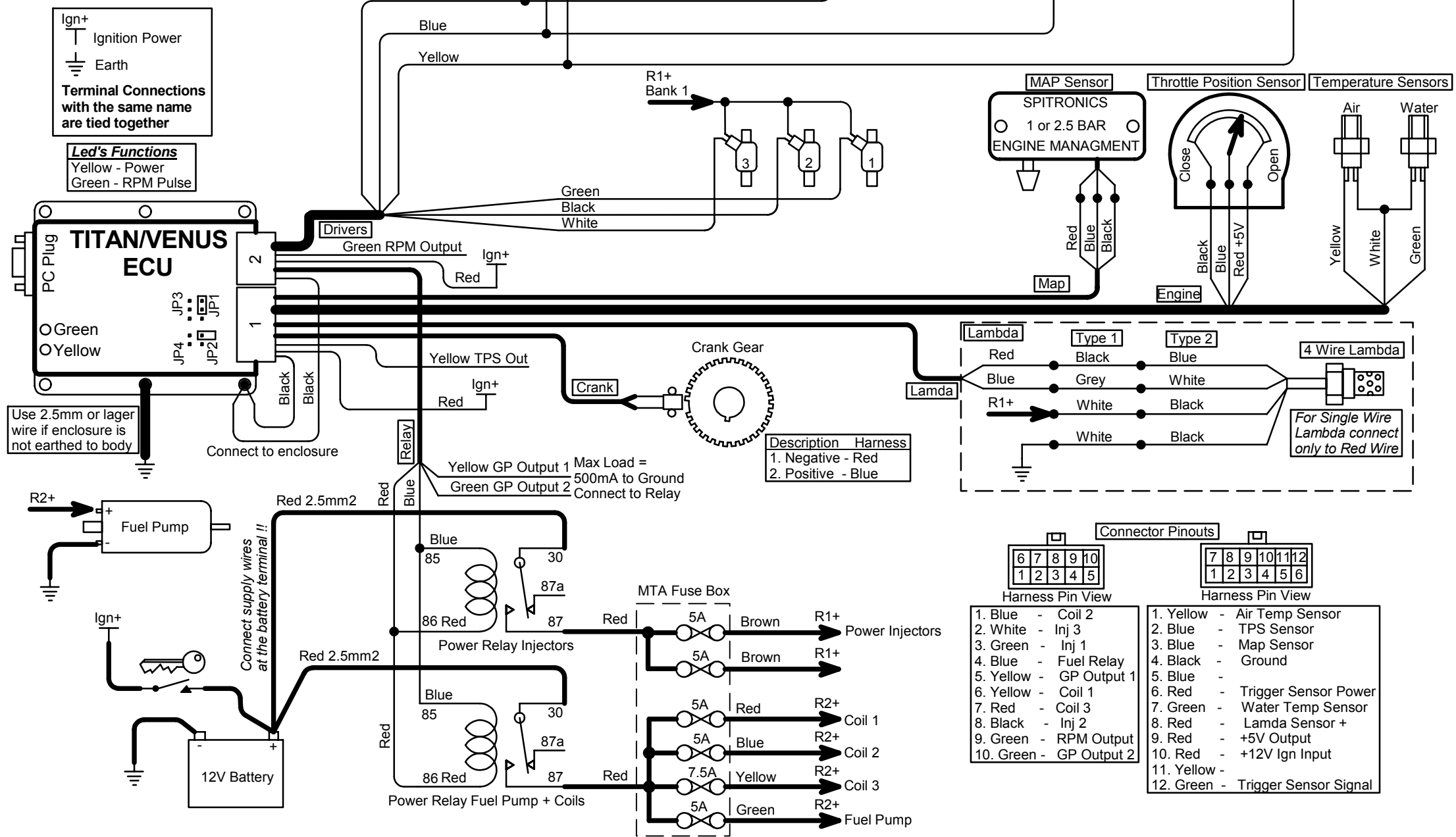


ECU 3Cyl Mag

Harness Required: E24 Ver 1.0 & E21 Ver 1.0

Last Changed: 17/08/2012

Drawing Ver: 1.0



Ign+ Ignition Power
 Earth
Terminal Connections with the same name are tied together

Led's Functions
 Yellow - Power
 Green - RPM Pulse

Use 2.5mm or larger wire if enclosure is not earthed to body

Connect to enclosure

Connect supply wires at the battery terminal !!

Yellow GP Output 1 Max Load = 500mA to Ground
 Green GP Output 2 Connect to Relay

Description Harness
 1. Negative - Red
 2. Positive - Blue

For Single Wire Lambda connect only to Red Wire

Connector Pinouts

Harness Pin View					Harness Pin View					
6	7	8	9	10	7	8	9	10	11	12
1	2	3	4	5	1	2	3	4	5	6
1. Blue	-	Coil 2	1. Yellow	-	Air Temp Sensor					
2. White	-	Inj 3	2. Blue	-	TPS Sensor					
3. Green	-	Inj 1	3. Blue	-	Map Sensor					
4. Blue	-	Fuel Relay	4. Black	-	Ground					
5. Yellow	-	GP Output 1	5. Blue	-						
6. Yellow	-	Coil 1	6. Red	-	Trigger Sensor Power					
7. Red	-	Coil 3	7. Green	-	Water Temp Sensor					
8. Black	-	Inj 2	8. Red	-	Lambda Sensor +					
9. Green	-	RPM Output	9. Red	-	+5V Output					
10. Green	-	GP Output 2	10. Red	-	+12V Ign Input					
			11. Yellow	-						
			12. Green	-	Trigger Sensor Signal					